

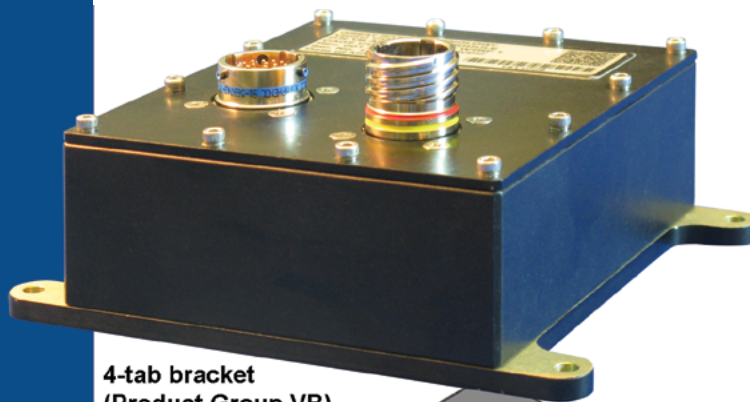


VCM

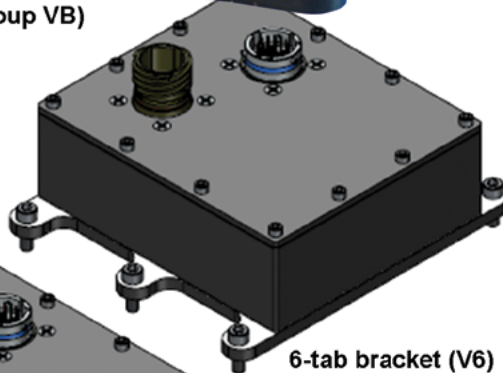
Flyable ARINC 818 Video Converter Module

Extend the life of airborne video components by quickly linking them to ARINC 818 architecture. The VCM is matched to your ICD and can be certified to DO-254 and

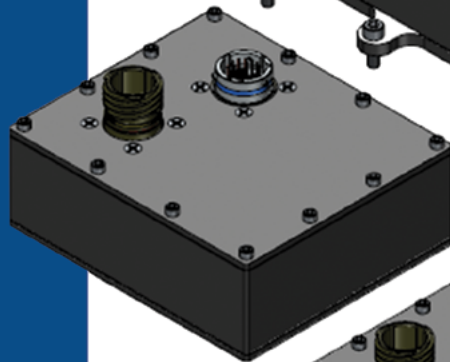
DO-160. Four mounting options provide maximum flexibility where space is precious. The VCM is a flyable, rugged version of GRT's Stand Alone Module for ARINC 818, which has proven itself for years in labs and simulator settings and aircraft production facilities.



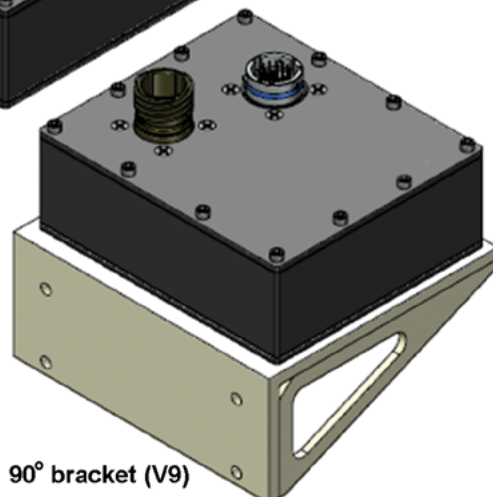
4-tab bracket
(Product Group VB)



6-tab bracket (V6)



No bracket (VC)



90° bracket (V9)

Format conversions

Each unit is factory configured to one of the following:

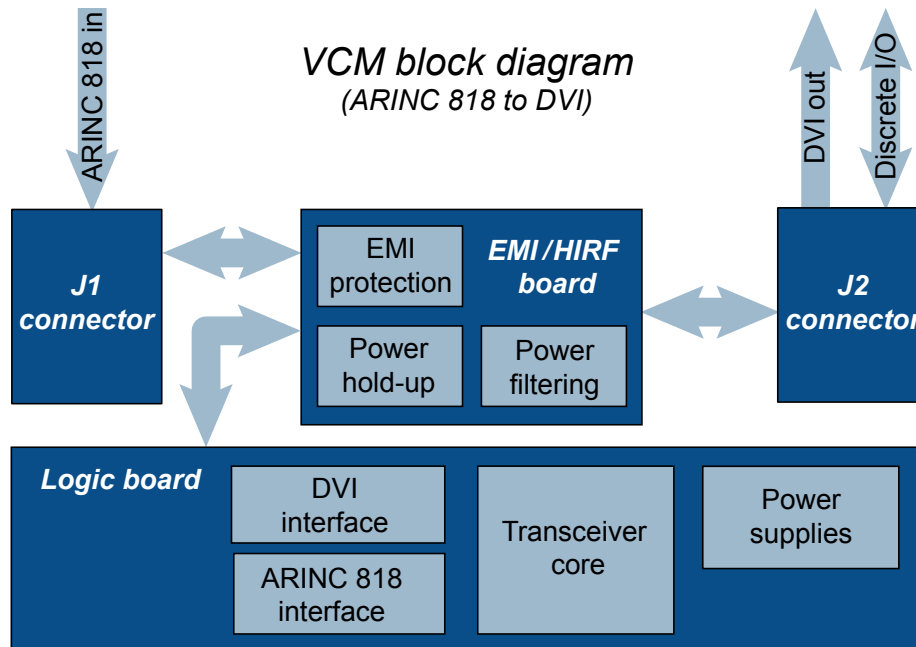
- DVI to ARINC 818 (standard)
- ARINC 818 to DVI (standard)
- ARINC 818 to VGA (standard)
- ARINC 818 to analog (NTSC, PAL, STANAG 3350, RS-170) (custom)
- Analog (NTSC, PAL, STANAG 3350, RS-170) to ARINC 818 (custom)

Physical specifications

- Size envelope, excluding connector and bracket: 113 x 98 x 35 mm (4.45 x 3.86 x 1.38 inches)
- Weight: 0.64 kg (1.41 lb)
- Fiber: 850 nm, multimode
- Connector: D38999, Size 12 shell
- ARINC 801 1.25 mm optical fiber
- Power: 6 watts

Features

- 16 to 32 Vdc power input per MIL-STD-704F and RTCA DO-160F hardware qualification
- HIRF protected, EMI shielded design
- Robust 38999 Series circular connectors



Other standard configurations
are DVI to ARINC 818 and
ARINC 818 to VGA.

Custom configurations are also
possible: analog to ARINC 818
or ARINC 818 to analog.

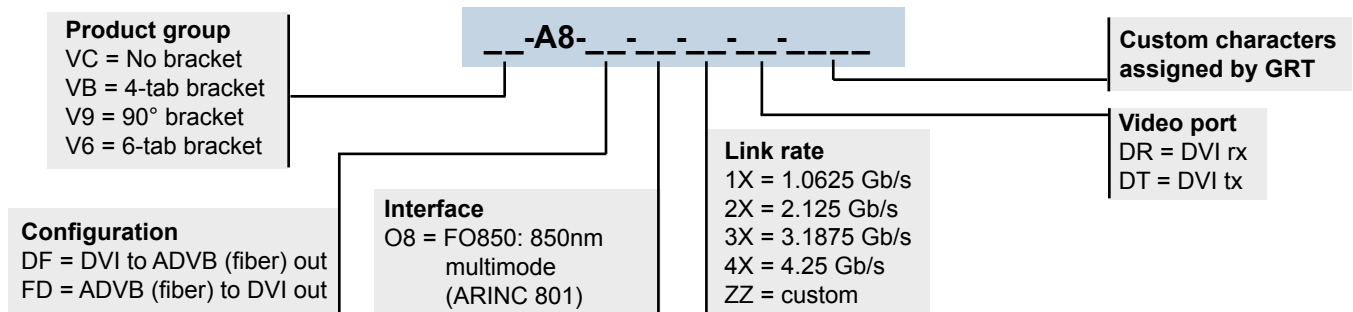
Call for details.

Environmental conditions, DO-160F (subject to change)

Sec. 4: Temp and Altitude Overpressure . . . A2	Sec. 16: Power Input B (50 ms)
Sec. 5: Temperature Variation B2	Sec. 17: Voltage Spike B
Sec. 6: Humidity A	Sec. 18: AF Conducted Susceptibility Z
Sec. 7: Shock and Crash Safety B	Sec. 19: Induced Signal Susceptibility ZC
Sec. 8: Vibrations B/B1	Sec. 20: RF Radiated and Conducted Susceptibility. R
Sec. 9: Explosion Proofness H	Sec. 21: RF Radiated and Conducted Emissions M
Sec. 10: Water Proofness Y	Sec. 22: Lightning Induced Transient A2J2M2 (shielded)
Sec. 11: Fluids Susceptibility, Cleaning Fluids: F	Sec. 24: Icing. A
Sec. 12: Sand and Dust D	Sec. 25: ESD Susceptibility A (equipment off)
Sec. 13: Fungus Resistance, Analysis F	Sec. 26: Fire, Flammability. C
Sec. 15: Magnetic Effect Z/ZZ	

How to buy

Determine your part number* for ARINC 818 (A8) Video Converter Module as follows:



For example:

VB-A8-FD-O8-2X-DT-0000 or VBA8FDO82XDT0000

*Great River Technology revised its part numbering system effective April 2013. For details, see [Part Numbers](http://www.greatrivertech.com/pns.html):
(<http://www.greatrivertech.com/pns.html>).

To order, consult our [Distributors](http://www.greatrivertech.com/distributors.html) page:

(<http://www.greatrivertech.com/distributors.html>).

If no distributor is listed for your region or country or if you need additional information about our custom firmware, contact our headquarters in Albuquerque.